

**Summerwood Products**

Tel. 416 498-9379/1 800 663-5042

Fax 416 431-2454

[support@summerwood.com](mailto:support@summerwood.com)

[www.summerwood.com](http://www.summerwood.com)

*A division of Summerwood Outdoors Inc.*

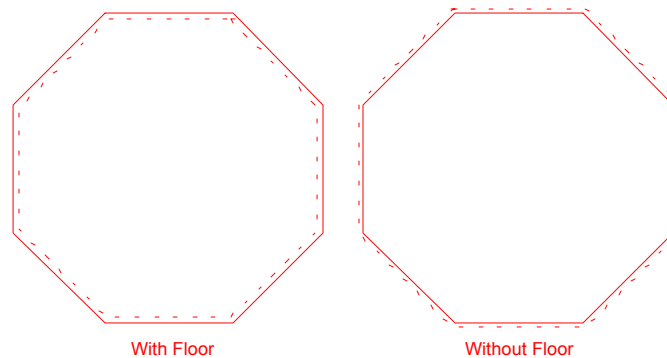


## Gazebo Site Preparation

A level and secure base is required for your Summerwood gazebo. One method is to pour a concrete pad. Below are instructions and drawings on how to complete your pad. However, local building codes should always be checked in accordance before proceeding with such a project.

**Layout:** The first step in preparing your site is to layout the position of the foundation, follow the steps below to determine the perimeter of your pad. The pad will be slightly smaller with a floor, this way it can be hidden with skirting. If you chose a gazebo without a floor the pad will be slightly larger to accommodate mounting brackets. ( refer to figure 1 )

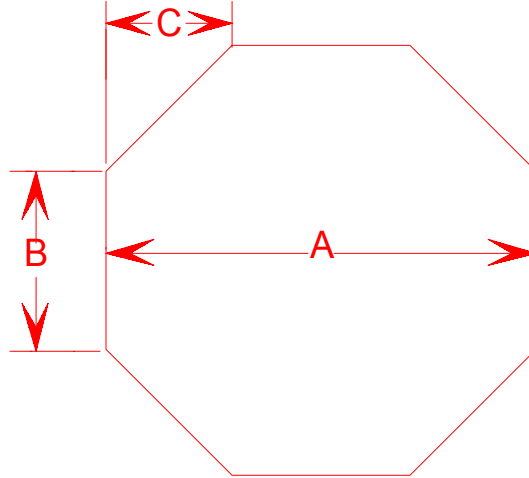
Figure 1:



**Measurements:** The following page contains measurements that we recommend, follow the dimensions and methods provided and you'll have a sound platform for your gazebo to be situated. Our chart provides all the necessary dimensions for gazebo floors, take time to read and understand our chart and your concrete pad will be a snap. (Figure 2 & 3 )

## Recommended Concrete Gazebo Pad Dimensions and Measurements

Figure 2:



### Measurements & Dimensions – Common Gazebo Floor

Figure 3:

#### With No Floor

Size (ft.)	Actual Size	Recommended Sizes		
		A	B	C
8	99"	105"	43 1/2"	30 3/4"
10	122"	128"	53"	37 1/2"
12	145"	151"	62 1/2"	44 1/4"
14	168"	174"	72 1/16"	51"
16	192"	200"	82 3/16"	58 9/16"
18	214"	222"	91 15/16"	65"
20	236"	244"	101 1/16"	71 1/2"

#### With A Floor

Size (ft.)	Actual Size	Recommended Sizes		
		A	B	C
8	99"	94"	38 15/16"	27 1/2"
10	122"	118"	48 7/8"	34 9/16"
12	145"	141"	58 3/8"	41 1/4"
14	168"	164"	67 15/16"	48"
16	192"	188"	77 7/8"	55 1/16"
18	214"	210"	87"	61 1/2"
20	236"	232"	96 1/8"	68"

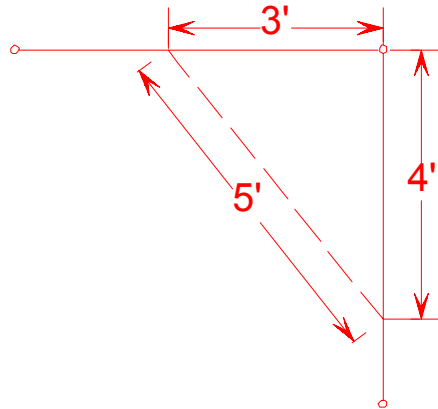
- Concrete Pad Procedure:**
- 1 Determine desired position of the front wall
  - 2 Outline gazebo area using string
  - 3 Form concrete hold using 2x8 lumber
  - 4 Lay base material for your pad
  - 5 Pour concrete and any reinforcement

**Outlining:** Place two stakes in the ground at a distance apart corresponding with your Gazebo and our chart using distance A, Join the stakes with a string and pull tight, this is to give you an idea of the area you will be using. (Figure 4 )  
Figure 4:



Position a third stake at a right angle to one of the first stakes, at an equal distance apart. Again join these stakes with a string, These two string lines must be square, using the “3,4,5” rule, squareness can be achieved. If one side is 3’ and the other side is 4’, then the angle measurement between these two points should equal 5’ if this is true then your lines are square. ( Figure 5 )

Figure 5:



Using measurement “A” again, place a fourth stake to complete a square, joining the remaining sides with a string pulled tight. Use a measuring tape and check measurements corner to corner, if they are equal then your square is correct. Mark the center spot while you diagonally check. ( Figure 6 )

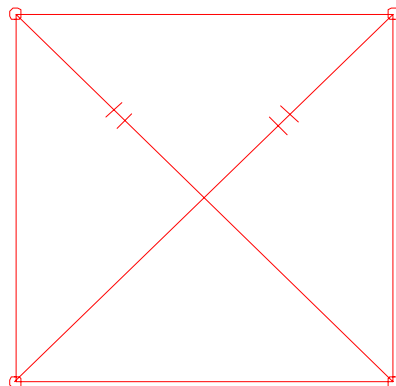
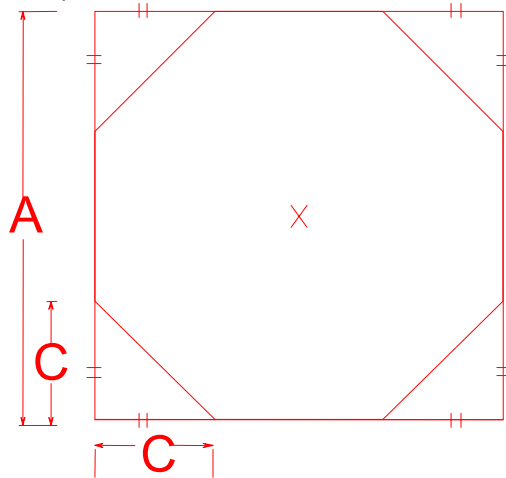


Figure 6:

**Marking the Octagon:** From each corner of the square, measure in on each side using measurement “C” from our chart provided. Mark each location with a stake, now run string between the newest stakes and you’ll have formed the area of your gazebo. ( Figure 7 )

Figure 7:

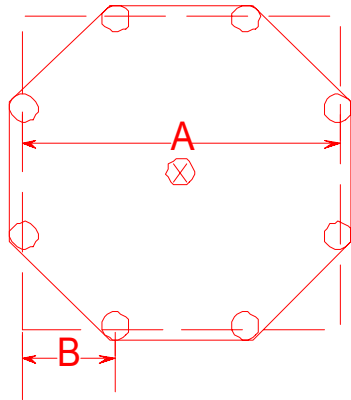


**Creating Concrete Border:** When pouring your concrete pad, it is highly recommended to consult to your local building codes to ensure all clearances are adhered to. Concrete pads varies for each jurisdiction.

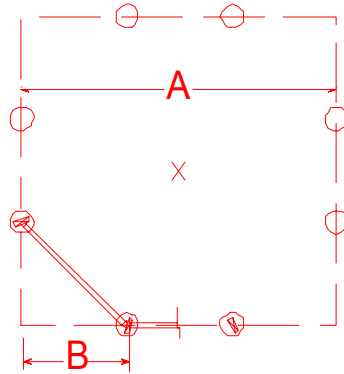
## Patio Stones and Concrete Footings

Another method for providing a level and secure base for your Summerwood gazebo is to use concrete footings or patio stones. Below are diagrams and instructions to assist you in preparing your site for your new gazebo.

1. The first step in preparing your site is to layout the position of the foundation. Follow the steps below to determine the placement of your patio stones or concrete footings.



With Floor



Without Floor

With Floor					
	8 ft.	10 ft.	12 ft.	14 ft.	16 ft.
A	7'1"	8'11"	10' 10 1/2"	12' 8 1/2"	14' 9 1/4"
B	2' 1"	2' 7 1/4"	3' 2 1/4"	3' 8 3/4"	4' 3 7/8"

Without Floor					
	8 ft.	10 ft.	12 ft.	14 ft.	16 ft.
A	7' 10"	9' 8 1/2"	11' 7"	13' 6"	15' 5"
B	2' 3 3/4"	2' 10 1/4"	3' 5 3/8"	3'11 5/8"	4'4 3/16"

### Steps to follow:

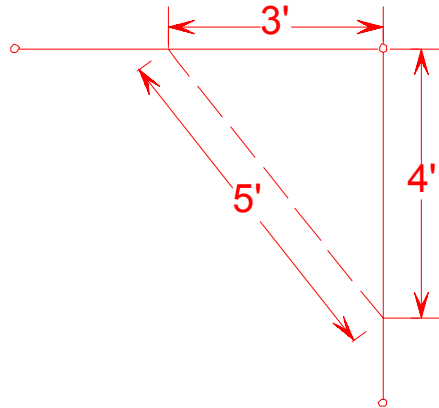
1. Determine the desired location of your front wall.
2. String the layout.

**Outlining:** Place two stakes in the ground at a distance apart corresponding with your Gazebo and our chart using distance A, Join the stakes with a string and pull tight, this is to give you an idea of the area you will be using. (Figure 4 )  
Figure 4:



Position a third stake at a right angle to one of the first stakes, at an equal distance apart. Again join these stakes with a string, These two string lines must be square, using the “3,4,5” rule, squareness can be achieved. If one side is 3’ and the other side is 4’, then the angle measurement between these two points should equal 5’ if this is true then your lines are square. (Figure 5 )

Figure 5:



Using measurement “A” again, place a fourth stake to complete a square, joining the remaining sides with a string pulled tight. Use a measuring tape and check measurements corner to corner, if they are equal then your square is correct. Mark the center spot while you diagonally check. ( Figure 6 )

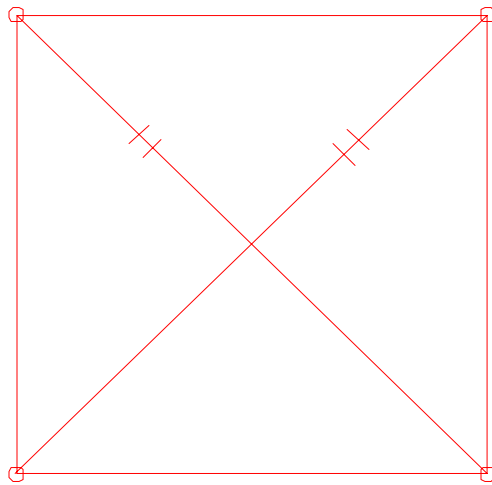
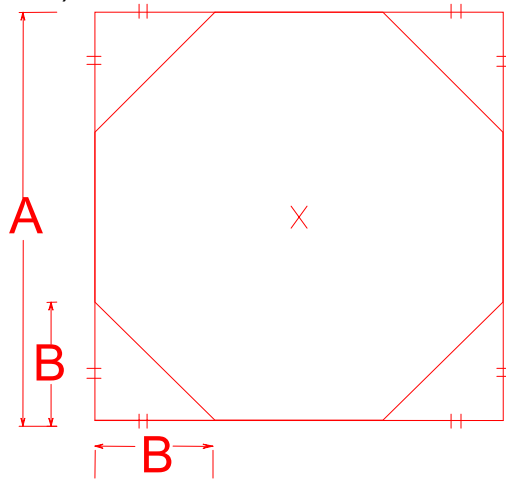


Figure 6:

**Marking the Octagon:** From each corner of the square, measure in on each side using measurement “B” from our chart provided. Mark each location with a stake, now run string between the newest stakes and you’ll have formed the area of your gazebo. ( Figure 7 )

Figure 7:



**Patio Stones:** The easiest and most cost efficient foundation is provided by using 12” X 24” patio stones placed in the center and under each corner of the gazebo. Patio stones should be positioned according to the “with floor” diagram. If the desired location is more than 12’ out of level, it is recommended a more secure foundation is used.

**Footings “with floor”:** Auger nine 10” holes to a depth below the frost lines, according to the positions on your layout.

**Note:** Ensure that holes are set in from edge of the 2X6 gazebo uprights so that the outside footings will bisect the midpoint of the uprights. This ensures that the uprights may be used to frame for skirting once the gazebo is assembled.

Insert sono tubes in all nine holes, they should be a minimum of 6” above grade to comply with most building codes. Proceed by pouring concrete in to the top of the tubes.

**Note:** If grade level is severely sloped, install 4x4 saddle brackets in center of sono tubes while concrete is still wet, posts can be installed and levelled afterwards.

**Footings “without floor”:** Auger eight 10” holes to a depth below the frostlines, center them according to your layout. Insert sono tubes in all eight holes and fill with concrete to the top of the tubes. The 2X6 uprights will rest on your footings.

**Note:** If you are interlocking around the base of the gazebo, the top of the sono tubes should be level with the grade before the bricks are laid. This will allow the bricks to hide the footings.

**This completes your site preparation.**