

# SUMMERWOOD CONSTRUCTION PLANS

## Master Plan For 12ft Tattle Creek



### **What's Included in This Document**

This document takes you step by step through all the stages required to build your structure. It provides many helpful tips and hints, gives you a detailed list of required materials, and of course, offers a master cut list and step by step instructions and drawings to make building your structure easy and fun. It does not cover door or window options.

### ***Use in Conjunction with these Other Documents***

- Assembly Instructions – how to put it all together
- Instructional Video – if you really don't like to read

# Construction Plan



*Required Supplies* ..... iii

*Master Material Cut List* ..... iv

## *Step by Step Instructions and Drawings*

✘ Model ..... 1

✘ Elevation ..... 2

### ***FOUNDATION***

✘ Footing Placement (no floor) ..... 3

✘ Footing Placement (circle reference) ..... 4

✘ Concrete Pad Details (no floor) ..... 5

✘ Concrete Pad Details (with floor) ..... 6

### ***FLOOR***

✘ Floor Assembly ..... 7

✘ Floor Joist Assembly ..... 8

✘ Floor Joist Details ..... 9

✘ Floor Board Details ..... 10

✘ Nailing Cleat, Floor Spline, Skirting Details ..... 11

### ***WALLS***

✘ Floor Plan (no floor) ..... 12

✘ Floor Plan (with floor) ..... 13

✘ Wall Assembly ..... 14

✘ Upright Post, Wall Side Details ..... 15

✘ Rails & Top Cap Details ..... 16

✂ Top Header & Wall Panel Details.....	17
--	----

***ROOF***

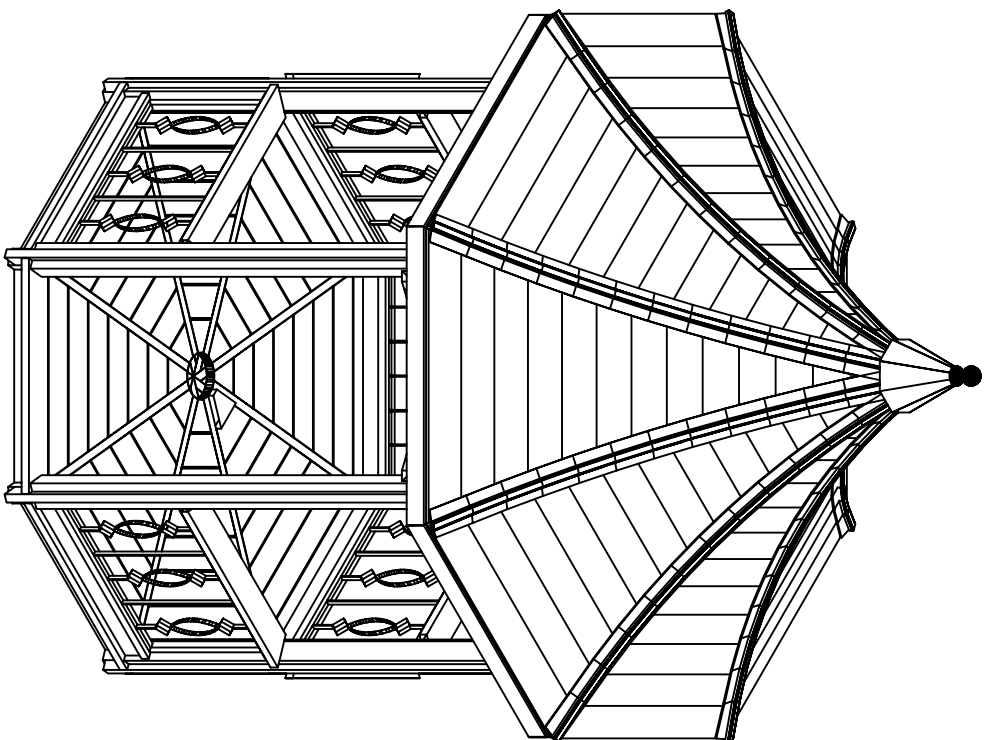
✂ Roof Assembly.....	18
✂ Rafter Layout.....	19
✂ Hip Rafter Details.....	20
✂ Hip Rafter Pattern.....	21
✂ Compression Ring & Cone Details.....	22
✂ Roof Board Outline.....	23
✂ Roof Trim Details.....	24

REQUIRED SUPPLIES: 12FT TATTLECREEK GAZEBO

QTY	UNIT	SIZE	MATERIAL	LGTH.	NOTES
56	ea	1x6	Cedar	10'	
12	ea	1x6	Cedar	12'	
12	ea	1x8	Cedar	10'	
32	ea	2x4	Cedar	8'	
20	ea	2x4	Cedar	10'	
6	ea	2x4	Cedar	12'	
28	ea	2x6	Cedar	8'	
22	ea	2x6	Cedar	10'	
24	ea	2x8	Cedar	10'	
1	pc	2x10	Cedar	1'	
11	bndles		Shingles		Cedar
2	lbs	2"	Siding nails		Stainless steel
3	lbs	3"	Finishing nails		Galvanized
5 1/2	lbs	3"	Screws		#8 Zinc Plated
1	lb	3 1/2"	Screws		#10 Zinc Plated
1			Fence post ball (gazebo ball)		
1	roll		Ice & Water Shield		

The information given in the "NOTES" section are details on what Summerwood uses. If you are unable to obtain the same specifications you may find a suitable substitute.

### 3D PROFILE: 12' TATTLE CREEK GAZEBO



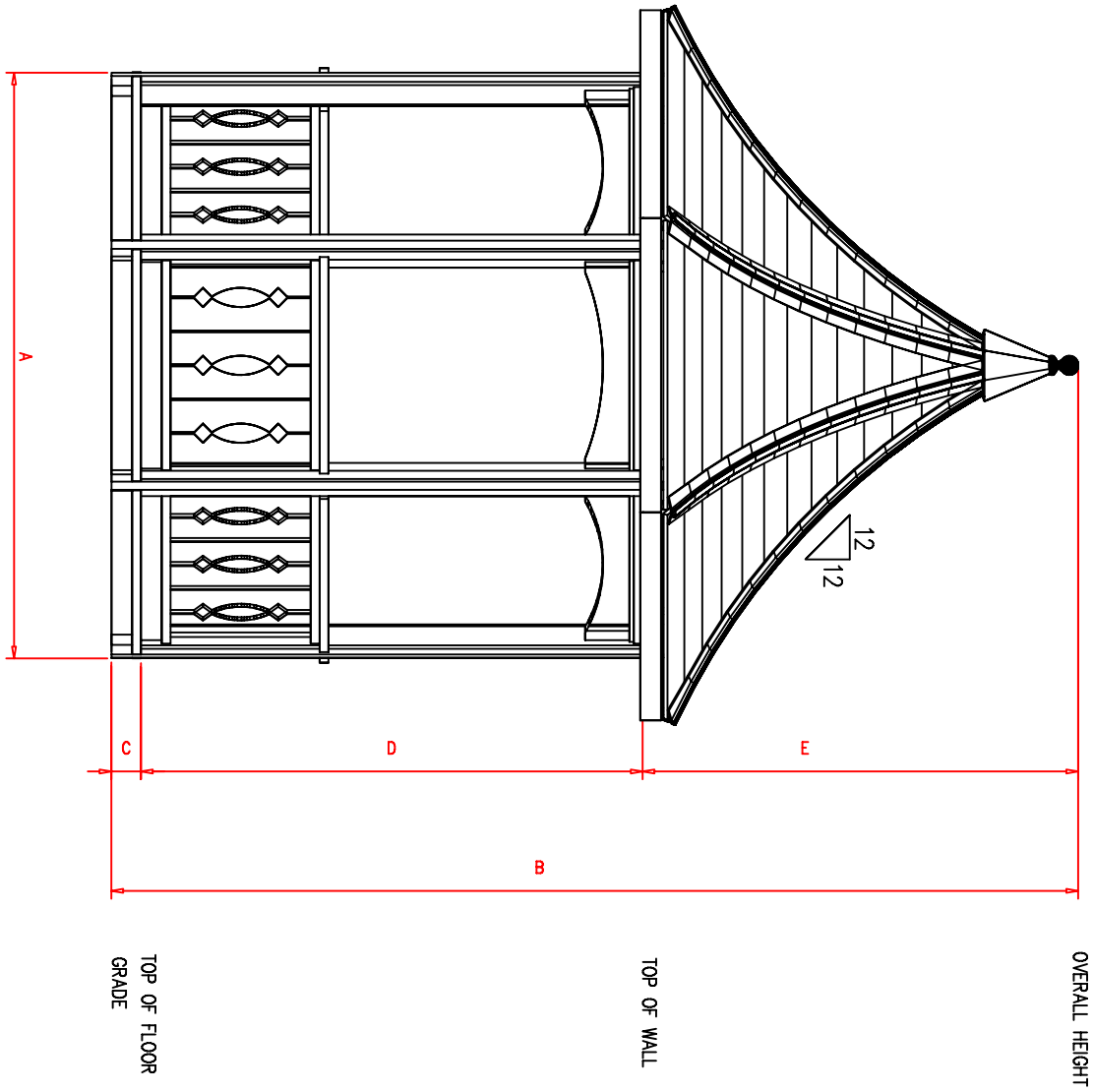
**Notes:**

This is a three dimensional view of the 8ft model. Please note, the number of panels in each wall section will vary depending on the gazebo size. See wall assembly in page 14.

**ALL DIMENSIONS IN THIS DOCUMENT ARE IN INCHES UNLESS STATED OTHERWISE.**

<a href="http://www.summerwood.com">www.summerwood.com</a>		<b>Summerwood PRODUCTS</b> A Division of Summerwood Outdoor	
plansupport@summerwood.com			
<b>Project:</b> STYLE: TATTLE CREEK SIZE: 12' 3D PROFILE			
<b>Scale:</b> 3/8"=1'	<b>Version No.:</b> 1.01	<b>Item No.:</b> TCRK 12	

# ELEVATIONS



OVERALL HEIGHT

TOP OF WALL

TOP OF FLOOR GRADE

**Notes:**  
 This elevation indicates the overall dimensions of the gazebo when assembled. This drawing is useful for obtaining building permits and for landscape planning.

**DIMENSION A - OUTSIDE DIMENSION ACROSS FLAT IS THE TRUE DIMENSION OF THE GAZEBO AND WAS DETERMINED FROM THE ACROSS FLAT MEASUREMENT OF THE FLOOR BOARDS OF THE GAZEBO**

DIMENSION LABELS

- A - OUTSIDE DIMENSION ACROSS FLAT
- B - OVERALL HEIGHT TO TOP OF CUPOLA
- C - FLOOR HEIGHT
- D - WALL HEIGHT
- E - ROOF HEIGHT

DESCRIPTION	DIM/(N)	SIZE	9FT	10FT	12FT	14FT	16FT
OVERALL DIMENSION	A		99 1/8	122	144 7/8	167	190 5/8
OVERALL HEIGHT	B		164	145	185		
FLOOR HEIGHT	C		5	5	5	5	
WALL HEIGHT	D		85	85	85	85	
ROOF HEIGHT	E		74	55	95		

[www.summerwood.com](http://www.summerwood.com)
**Summerwood Products**  
A Division of Summerwood Outdoor

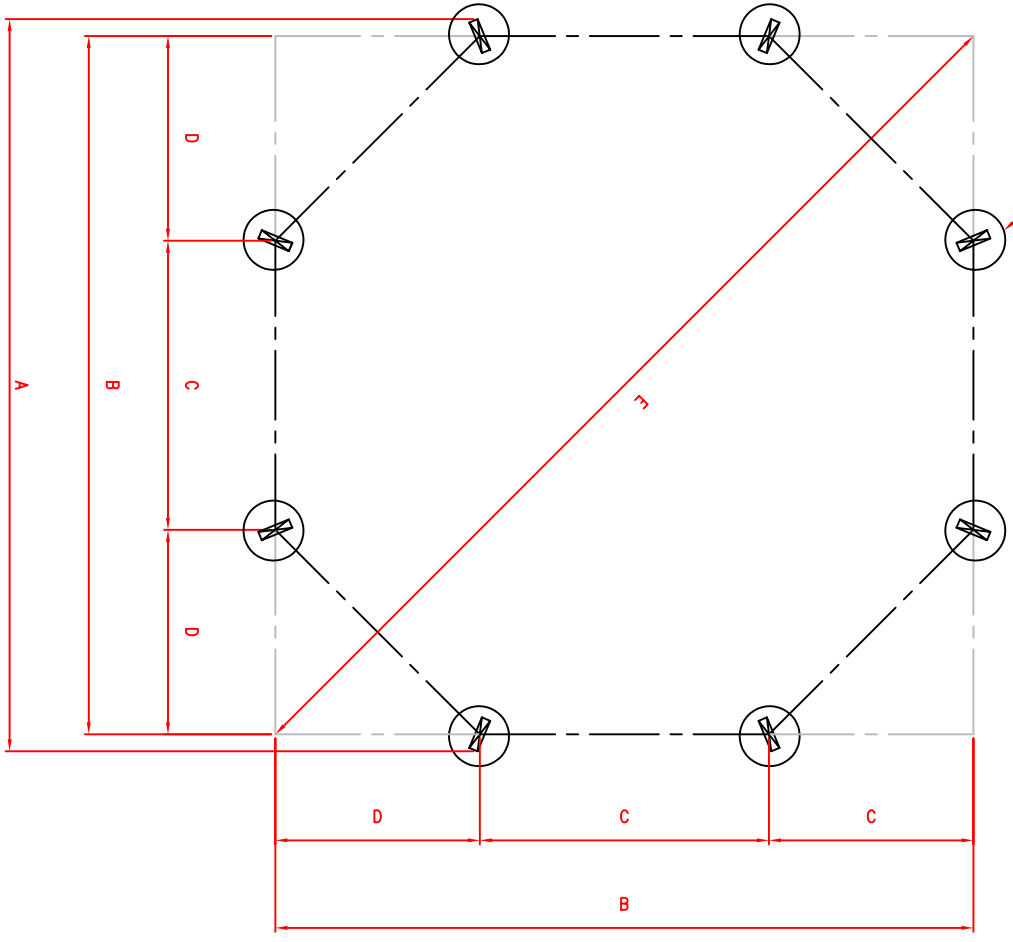
[plansupport@summerwood.com](mailto:plansupport@summerwood.com)

**Project:**  
 STYLE: TATTLE CREEK  
 SIZE: 12'  
 ELEVATIONS

**Scale:** 3/8"=1'  
**Version No.:** 1.01  
**Item No.:** TCRK 12

# 12' GAZEBO FOOTINGS (NO FLOOR)

**Notes:**  
 This drawing shows the footing placements for a gazebo without a floor. Use the dimensions shown to mark out a square. From the square you can then mark the centers of the uprights and footings.



- DIMENSION LABELS**
- A – OUTSIDE DIMENSION ACROSS FLAT
  - B – OVERALL DIMENSION ON CENTER
  - C – POST TO POST DIMENSION ON CENTERS
  - D – OFFSET DIMENSION CORNER TO POST CENTER
  - E – DIAGONAL DIMENSION

DIM (IN)	SIZE	8'FT	10'FT	12'FT	14'FT	16'FT
A		99 1/8	122	144 7/8	167	190 5/8
B		93 1/2	116 3/8	139 1/4	161 3/8	183 3/8
C		38 3/4	48 3/8	57 5/8	66 7/8	76
D		27 3/8	34	40 3/4	47 1/4	53 5/8
E		132 1/4	164 1/2	197	228 1/4	259 3/8

www.sumnerwood.com      Summerwood PRODUCTS  
 A Division of Summerwood Outdoor

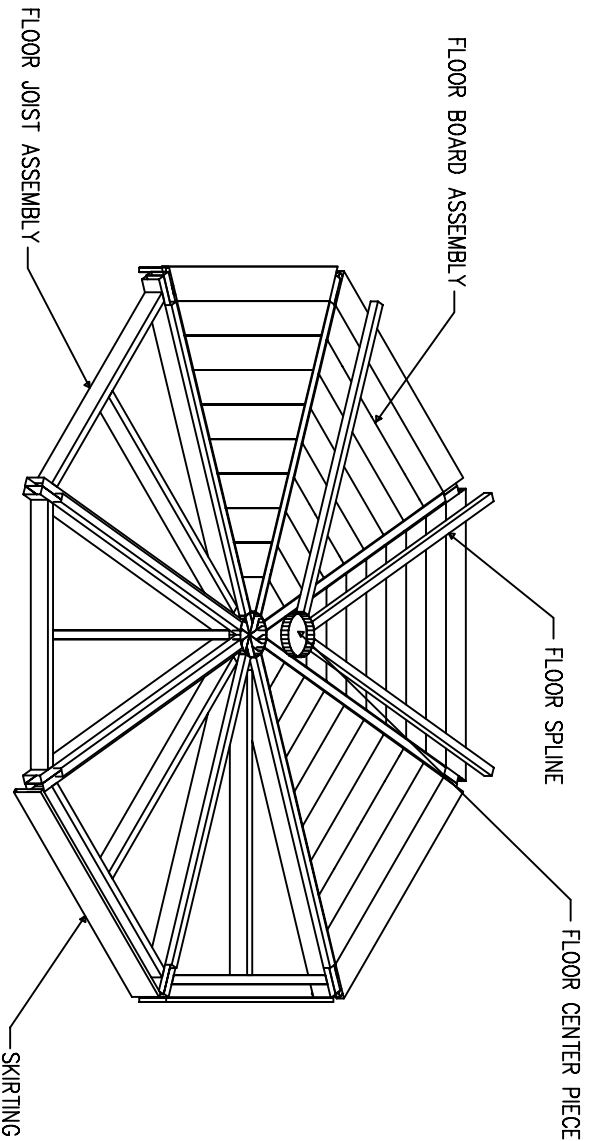
plansupport@summerwood.com

Project: TATTLE CREEK  
 STYLE: TATTLE CREEK  
 SIZE: 12'  
 FOOTING PLACEMENT (NO FLOOR)

Scale: 3/8"=1'  
 Version No.: 1.01      Item No.: TCRK 12

# FLOOR ASSEMBLY

**Notes:**  
This drawing identifies all of the floor parts necessary for your gazebo. The floor details in the following pages will provide further information on how each piece is cut.



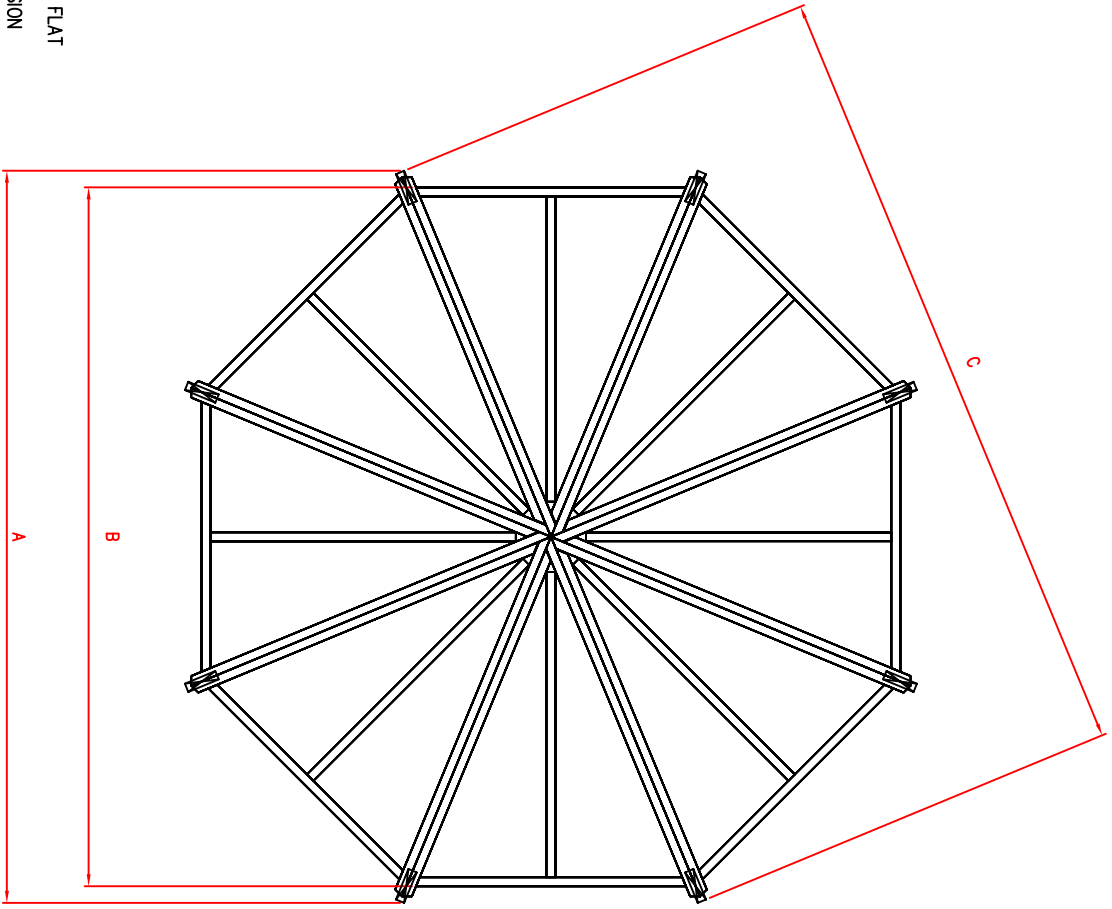
<a href="http://www.summerwood.com">www.summerwood.com</a>		<b>Summerwood PRODUCTS</b> A Division of Summerwood Outdoor	
<a href="mailto:plansupport@summerwood.com">plansupport@summerwood.com</a>			
<b>Project:</b> STYLE: TATTLE CREEK SIZE: 12' FLOOR ASSEMBLY			
<b>Scale:</b> 3/8"=1'	<b>Version No.:</b> 1.01	<b>Item No.:</b> TCRK 12	

# 12' GAZEBO FLOOR JOIST ASSEMBLY

**Notes:**

This drawing shows the assembly of the floor frame. When fastening the sections together, start fastening the outer ends of the joists together to ensure a uniformed fit then fasten the inside ends of the joists.

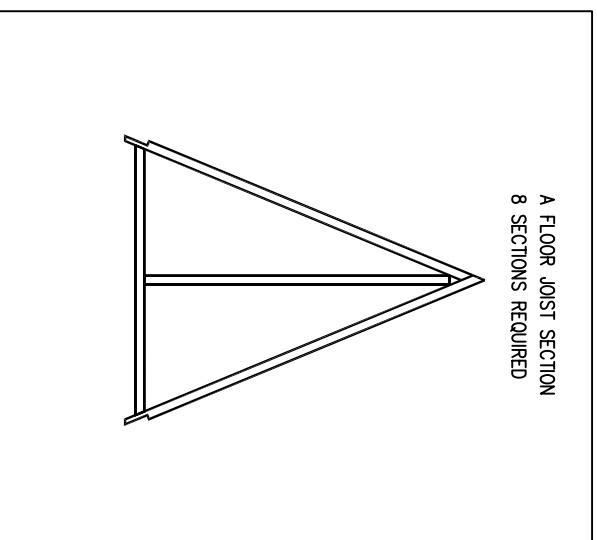
See the next page for joist details.



**DIMENSION LABELS**

- A – OUTSIDE DIMENSION ACROSS FLAT
- B – FACE JOIST OVERALL DIMENSION
- C – OUTSIDE DIMENSION POST TO POST

DIM (IN)	SIZE	8FT	10FT	12FT	14FT	16FT
A		99 1/8	122	144 7/8	167	190 5/8
B		93 1/2	116 1/2	139 3/4	162	185 3/4
C		106 3/4	131 1/2	156 1/4	180 1/4	205 3/4



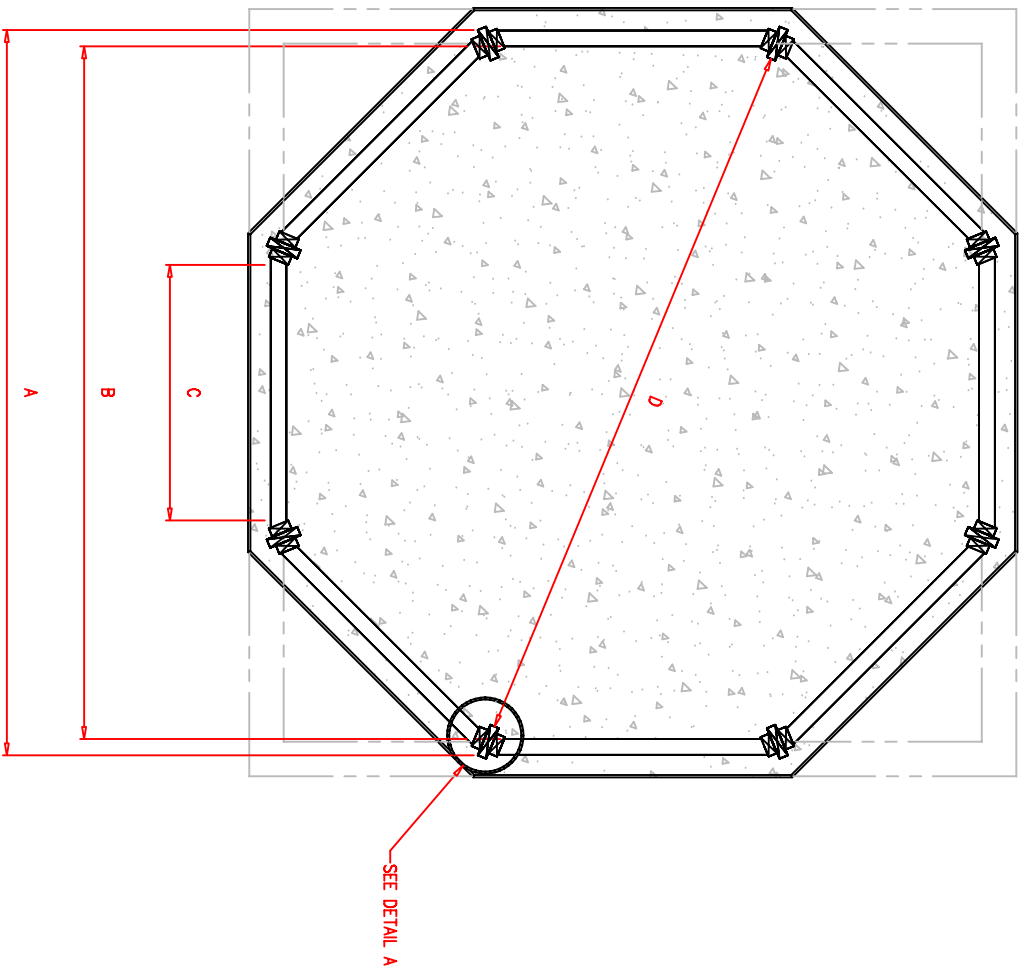
www.summerwood.com Summerwood PRODUCTS  
A Division of Summerwood Outdoor

plansupport@summerwood.com

Project: **STYLE: TATTLE CREEK**  
**SIZE: 12'**  
**FLOOR JOIST ASSEMBLY**

Scale: 3/8" = 1' Version No.: 1.01 Item No.: TCRC 12

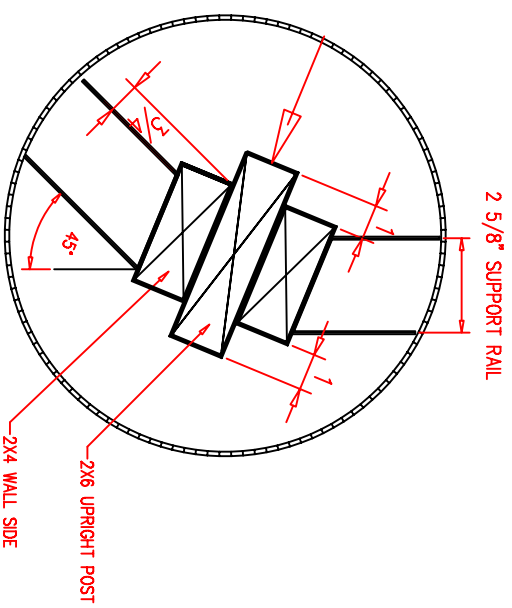
## 12' GAZEBO FLOOR PLAN (NO FLOOR)



**Notes:**  
 This drawing shows the footprint for a gazebo without a floor. The dimensions shown indicate the overall size and the internal space of your gazebo.

**DIMENSION LABELS**

- A – OUTSIDE DIMENSION ACROSS FLAT
- B – INSIDE DIMENSION RAIL TO RAIL
- C – WALL SECTION CLEARANCE
- D – INSIDE DIMENSION POST TO POST



DIM (IN)	SIZE	8FT	10FT	12FT	14FT	16FT
A		99 1/8	122	144 7/8	167	190 5/8
B		92 5/8	115 1/2	138 1/4	160 1/2	
C		55	42 1/2	51 7/8	61 3/8	
D		95 3/4	120 1/2	145 1/4	169 1/4	

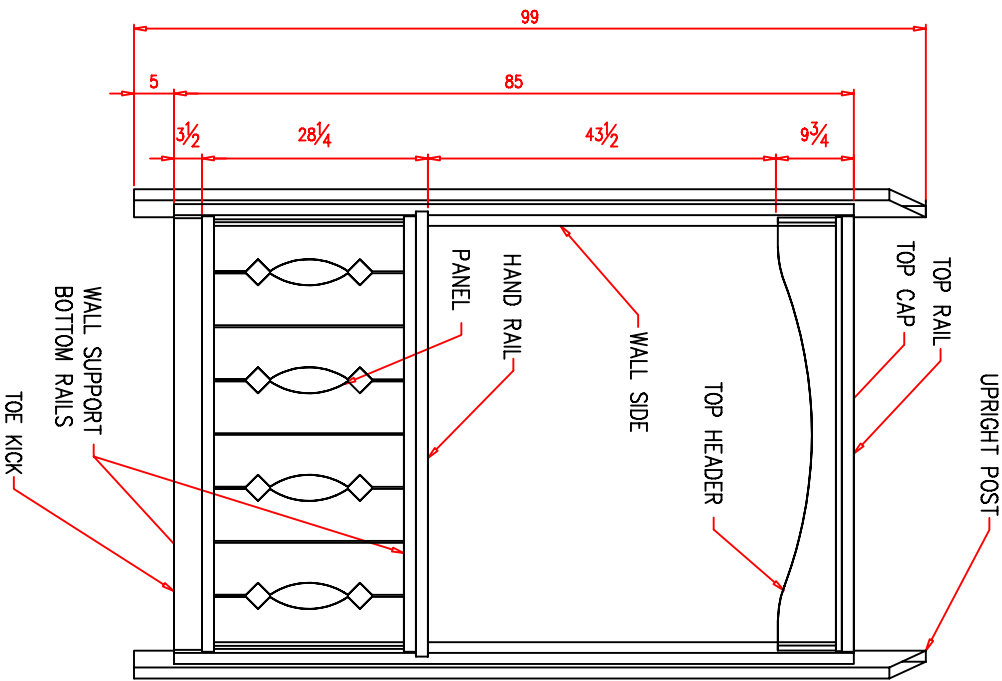
www.summerwood.com  
 Summerwood PRODUCTS  
 A Division of Summerwood Outdoor  
 plansupport@summerwood.com

Project:  
 STYLE: TATTLE CREEK  
 SIZE: 12'  
 FLOOR PLAN (NO FLOOR)

Scale: 3/8"=1'  
 Version No.: 1.01  
 Item No.: TCRC 12

# WALL ASSEMBLY

## WALL SECTION



## ENTRANCE SECTION



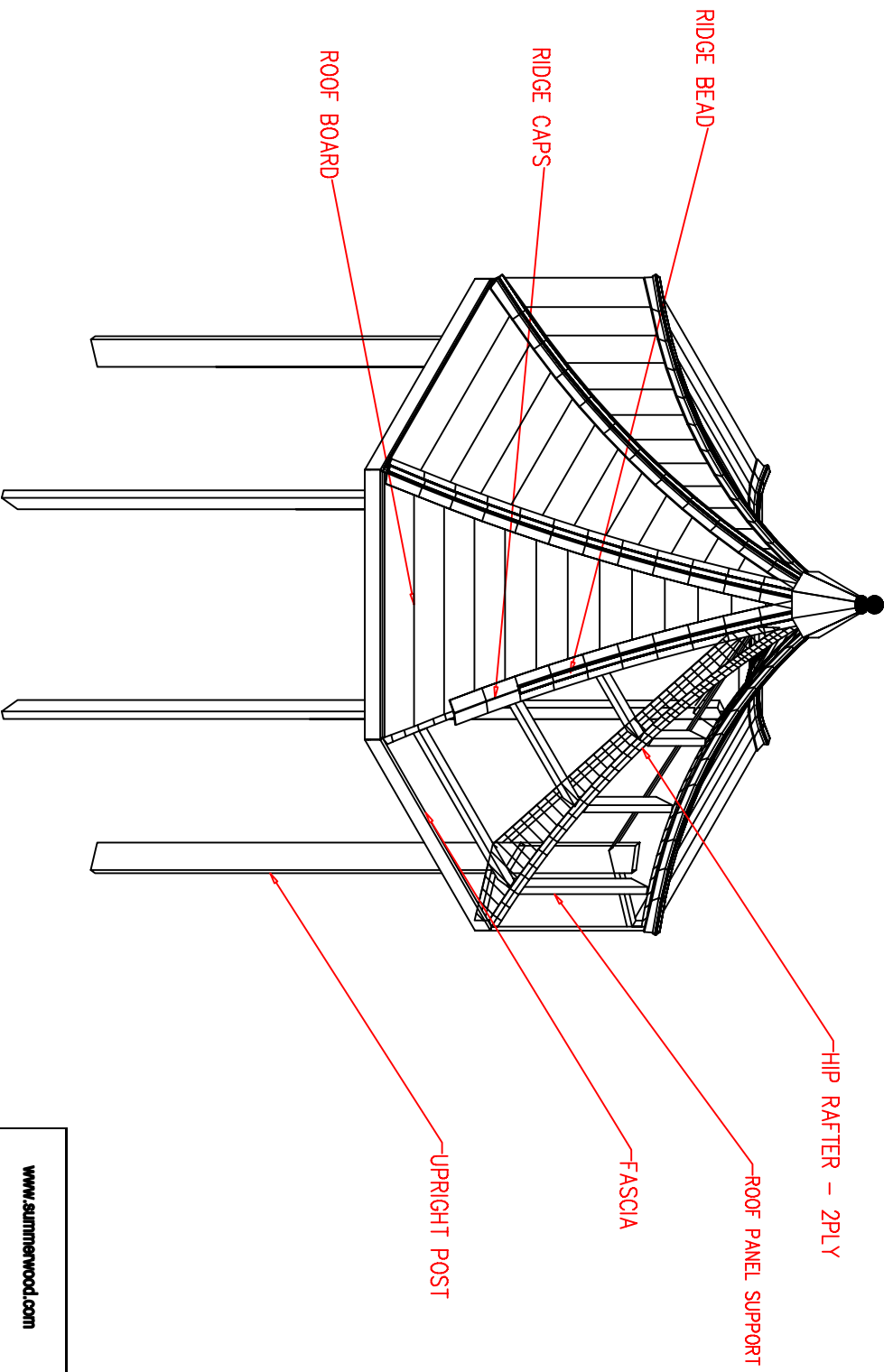
**Notes:**  
 This drawing identifies all of the wall parts necessary for your gazebo.  
 The gazebo consists of seven wall sections and one entrance section. The Upright Posts are fastened to the floor and the rest of the wall parts are assembled into sections and fitted between the Upright posts.

The wall details in the following pages will provide further information on how each piece is cut.

<a href="http://www.summerwood.com">www.summerwood.com</a>		<b>Summerwood Products</b> A Division of Summerwood Outdoor	
Project: <a href="mailto:plansupport@summerwood.com">plansupport@summerwood.com</a>			
STYLE: TATTLE CREEK SIZE: 12' WALL ASSEMBLY			
Scale:	Version No.:	Item No.:	
1/2"=1'	1.01	TCRK 12	

# ROOF ASSEMBLY

**Notes:**  
This drawing shows the assembly of the roof and identifies the various components.



[www.summerwood.com](http://www.summerwood.com)

**Summerwood PRODUCTS**  
A Division of Summerwood Outdoor

[plansupport@summerwood.com](mailto:plansupport@summerwood.com)

**Project:**  
STYLE: TATTLE CREEK  
SIZE: 12'  
ROOF ASSEMBLY

**Scale:**  
3/8"=1'

**Version No.:**  
1.01

**Item No.:**  
TCRK 12